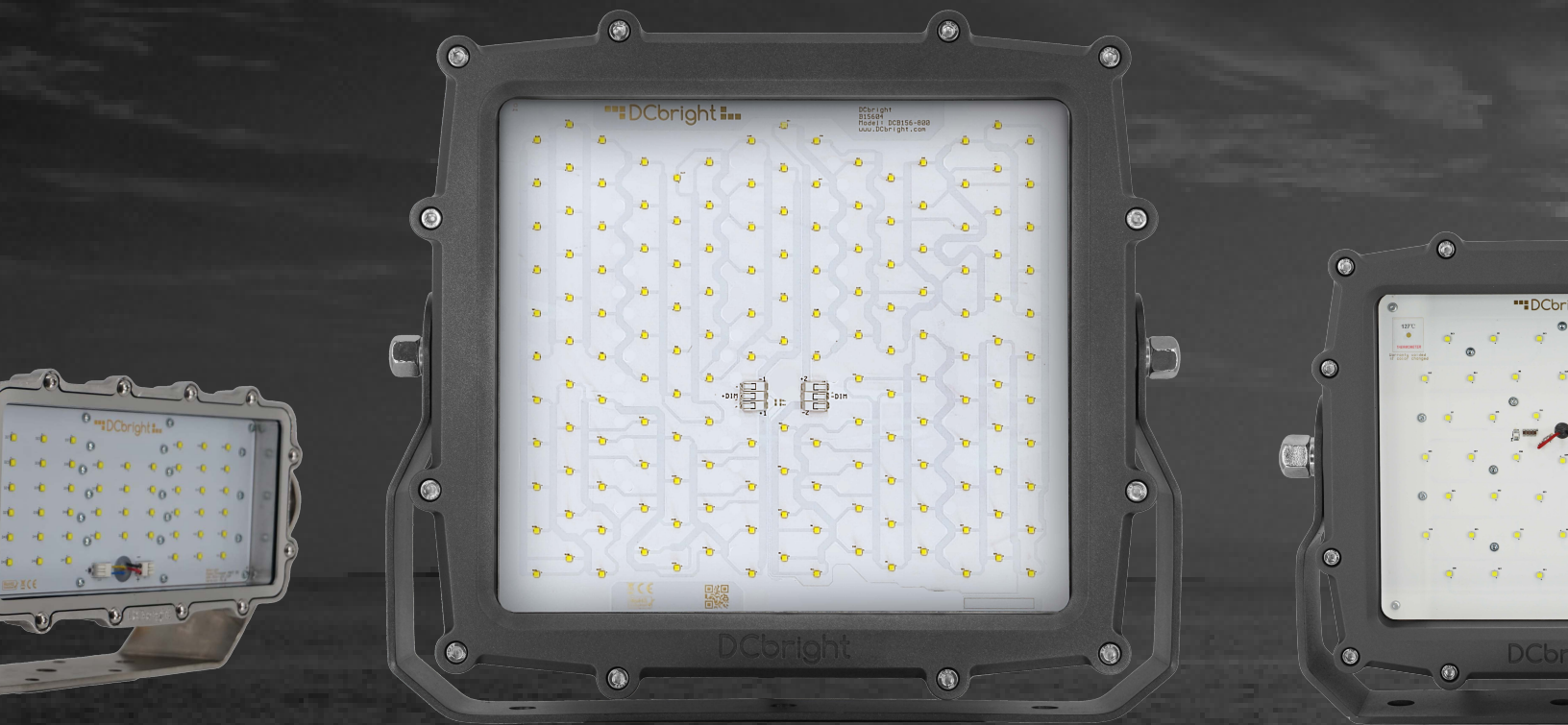


THE WORLD'S HIGHEST PERFORMING HIGH TEMPERATURE LED LIGHTS



MINING

FOOD

INDUSTRIAL

PAPER

JEL Products

High Temperature Series



Moray HT: 3,960 lm
MO16-30AC-HT



Snapper HT: 7,000 lm
SN48-35AC-HT



Barracuda HT: 20,600 lm
BA48-120AC-HT



Orca HT: 39,000-52,000 lm
OR70 240AC-HT-OP*
OR70 320AC-HT-OP*



Orca HT: 64,000 lm
OR156 320AC-HT

*OP: Optical lenses available

Reliable Lighting Solutions for High-Temperature Environments

When it comes to lighting in extreme heat, every detail matters. Our luminaires are engineered to excel in environments up to +120°C (+248°F), where others fail. A key design element is the use of external drivers, positioned away from heat sources to maintain long-term reliability. But that's just the beginning.

We go further to ensure durability and performance. With silicone cabling and a heat-facing luminaire body crafted from specially treated and prepared materials, our fixtures are the most temperature-resistant LED lights available worldwide.

Whether your application requires floodlighting or spotlighting, we have you covered with configurations tailored to your needs. For environments where high heat meets corrosive elements, a stainless steel option ensures unmatched longevity and resilience.

Remote Driverbox for temperature protection and convenience



Our Industrial driverbox can be used with all of our high temperature fixtures. With a IP67 rating, 100.000 hour life, and a limited 5 year warranty. Withstands temperatures up to +50°C / +122°F, ensuring reliability in tough environments.

440 mm x 290 mm x 145 mm or 275 mm x 200 mm x 85 mm

Driverboxes

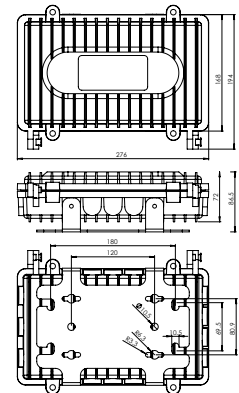
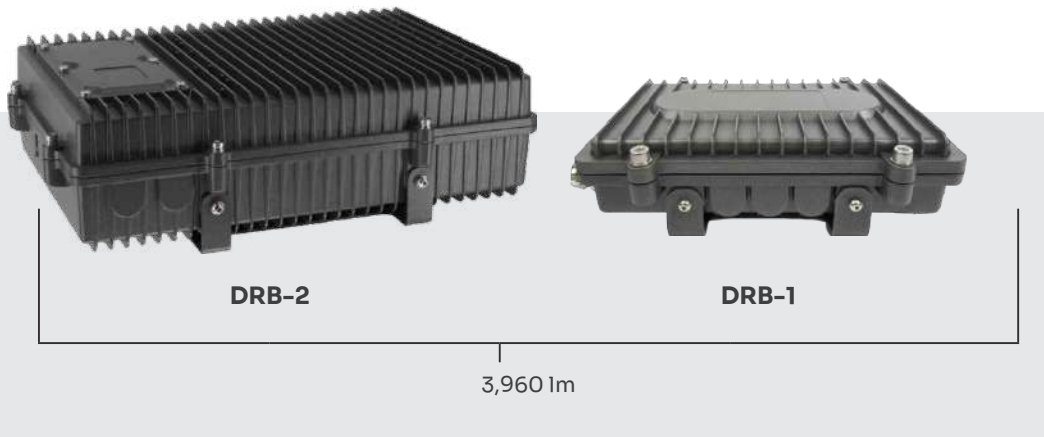
Industrial grade driverboxes

Our Industrial Driverboxes are a versatile and robust solution designed to enhance the performance and lifespan of our luminaires. With an IP67 rating, it offers complete protection against dust, water, and harsh conditions, while its remote installation capability ensures reduced heat exposure for optimal reliability.

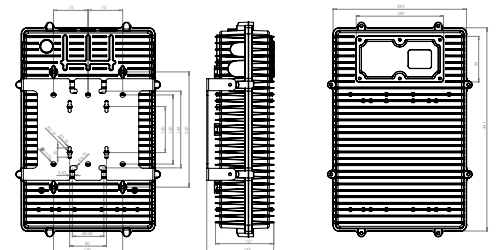
- **High Performance Drivers**
 - Low powerfactor
 - Wide variety of power
- **High thermally conductive housings**
- **Corrosion-resistant aluminum**
- **Electrical, mechanical and thermal protections, including:**
 - Vibration resistance
 - Internal temperature monitor
 - Overcurrent regulation
- **Dust & Weatherproof, IP67**
- **Impact resistant, IK08**
- **Many different AC and DC versions are available**



Which box type is best depends on configuration



DRB-1



DRB-2

Common Specifications with regards to High Temperature Series

Size 275 mm x 200 mm x 85 mm 10.8 in x 7.9 in x 3.3 in 440 mm x 290 mm x 145 mm 17.3 in x 11.4 in x 5.7 in	Operating Temperature -40°C / -40°F < 50°C / 122°F	Driver Lifespan 100.000 hours
Weight DRB-1: 4.2kg DRB-2: 10.4kg	Power Factor >0.95	Driver combinations
	Ingress / Impact Protection IP67, IK08	DRB-1: BA48-HT = 1 MO16 & SN48-HT = 2 DRB-2: OR156-HT = 2 BA48-HT = 4 MO16 & SN48-HT = 6

Driverbox and Power Specifications Compatible with all HT and SS products, also available in Stainless Steel

Model	Power ranges	Voltage ranges	Compatible with these fixtures	Warranty	Control
DRB-1	35 - 320W	90-305 VAC / 180-528VAC	OR156 - SH66 - BA48 - SN35 - MO16 - PI9	5 year	Std: 0-10; Option: DALI, LoRa Mesh
DRB-2	35 - 1800W	90-305 VAC / 180-528VAC	OR156 - SH66 - BA48 - SN35 - MO16 - PI9	5 year	Std: 0-10; Option: DALI, LoRa Mesh

Moray

LED Floodlight <4.000 lm

The Moray is a high-performance luminaire engineered for offshore reliability. Designed for small-area lighting in wind farms, its driver-integral construction is fully water, wind, and dustproof. Precision 50-50 optics provide hundreds of customizable lighting distributions.

- **High Performance LEDs**
 - Dual-color available
 - Wide variety of CCTs
- **High thermally conductive housings**
- **Corrosion-resistant aluminum**
- **Available high temperature version, up to 120°C / 248°F**
- **Wide variety of optical distributions**
- **Electrical, mechanical and thermal protections, including:**
 - Vibration resistance
 - Internal temperature monitor
 - Overcurrent regulation
- **Dust & Weatherproof, IP69K**
- **Impact resistant, IK08**
- **AC / DC versions available**



MO16-30AC-HT

3,960 lm

Moray Common Specifications HT=High Temperature

Size

213 mm x 220 mm x 83 mm
8.4 in x 8.6 in x 3.2 in

Weight

Standard Aluminum / HT
1.5 kg / 3.3 lb

Operating Temperature

HT:
-45°C / -49°F < 120°C / 248°F

Cable / Remote Driver

HT: 2m Silicone

Ingress / Impact Protection

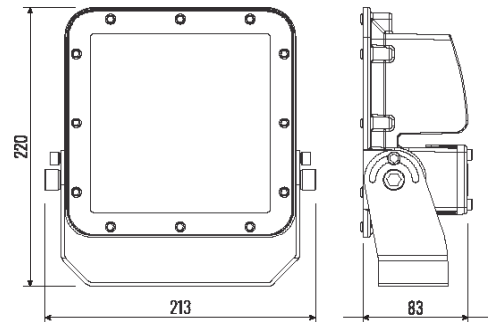
IP69K, IK08

Fixture Adjustment

±240°, 30° steps

Lumen Maintenance

60,500 hr, L80B10



Moray Specifications HT=High Temperature

Model	Lumens	Lm/W	Power	Voltage	Optics	CCT	Warranty
MO16-30AC-HT	3,960	132	30W	90-305VAC	120°	2700K - 6500K	5 year

Snapper

LED Floodlight <26.500 lm

The Snapper is a highly versatile floodlight, designed for maximum adaptability and performance. Its compact, modular design enables lightweight multi-fixture assemblies, delivering powerful illumination with ease. Featuring standard 50mm-spaced optics, the Snapper can be configured for hundreds of specialized optical distributions. High-temperature and stainless-steel options ensure durability in even the most demanding environments.

- **High Performance LEDs**
 - Dual-color available
 - Wide variety of CCTs
- **Available as a special high temperature version, up to +120°C / +248°F**
- **High thermally conductive housings**
 - Corrosion-resistant aluminum
 - Available in stainless steel
- **Electrical, mechanical and thermal protections, including:**
 - Vibration resistance
 - Internal temperature monitor
 - Overcurrent regulation
- **Dust & Weatherproof, IP67/IP69K**
- **Impact resistant, IK08**
- **AC / DC versions available**



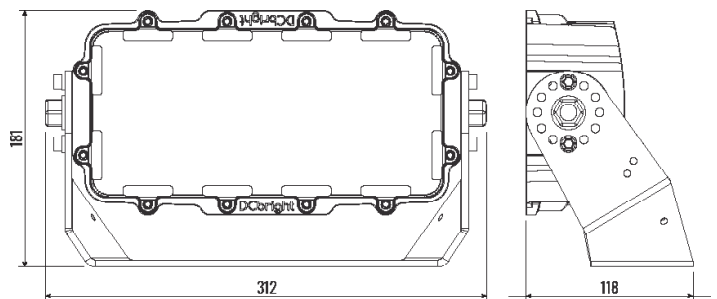
SN48-35AC-HT
SN48-35AC-HT-SS

7,000 lm

Snapper Common Specifications SS=Stainless Steel, HT=High Temperature, SH = Stainless Steel High Temperature

Size
312 mm x 181 mm x 118 mm 12.2 in x 7.1 in x 4.6 in
Weight
Standard Aluminum / HT: 3.1 kg / 6.8 lb
Stainless Steel: 7 kg / 15.4 lb
Operating Temperature
High Temperature: -45°C / -49°F < +120°C / +248°F

Cable / Remote Driver
HT: 25m Silicone
Ingress / Impact Protection
Standard: IP67, IK08 SS: IP69K, IK08
Fixture Adjustment
±240°, 30° steps
Lumen Maintenance
HT: 60,500 hr, L80B10



Snapper Specifications SS=Stainless Steel, HT=High Temperature, SH = Stainless Steel High Temperature

Model	Lumens	Lm/W	Power	Voltage	Optics	CCT	Warranty
SN48-35AC-HT	7,000	200	35W	90-305 VAC	120°	2700K - 6500K	5 year
SN48-35AC-SH	7,000	200	35W	90-305 VAC	120°	2700K - 6500K	5 year

Barracuda

LED Floodlight <44.000 lm

The Barracuda is a robust, rectangular LED fixture designed for heavy machinery applications such as cranes, shovels, and light towers. Available in both AC and DC versions with multiple power supply and lumen output options, it offers exceptional flexibility. Featuring IP69K ingress protection, IK10 impact resistance, and corrosion-resistant aluminum or stainless steel castings, the Barracuda is built to withstand the harsh demands of maritime and offshore environments. A high-temperature (HT) version ensures reliable performance in extreme conditions.

- **High Performance LEDs**
 - Dual-color available
 - Wide variety of CCTs
- **Dust & Weatherproof, IP69K**
- **Impact resistant, IK10**
- **High thermally conductive housing**
 - Corrosion-resistant aluminum
 - Available stainless steel
- **Electrical, mechanical and thermal protections, including:**
 - Vibration resistance
 - Internal temperature monitor
 - Overcurrent regulation
- **Available high temperature version, up to 120°C / 248°F**
- **AC / DC versions available**



BA45-120HT
BA45-120AC-SS-HT

20,600

Barracuda Common Specifications SS=Stainless Steel, HT=High Temperature

Size
342 mm x 298 mm x 88 mm
13.4 in x 11.7 in x 3.5 in

Weight
Standard Aluminum / HT:
10.1 kg / 22.3 lb

Stainless Steel (SS/SH):
16.0 kg / 35.3 lb

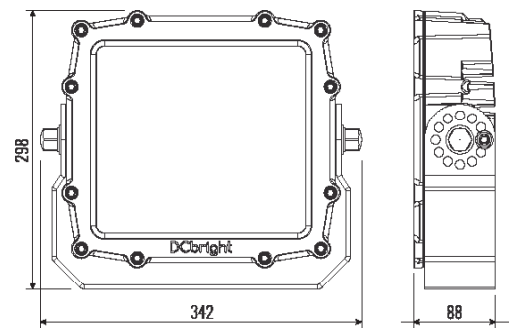
Operating Temperature
HT / Stainless Steel HT:
-45°C / -49°F < 120°C / 248°F

Cable / Remote Driver
HT / Stainless Steel
HT: 15m Silicone

Ingress / Impact Protection
IP69K, IK10

Fixture Adjustment
±240°, 30° steps

Lumen Maintenance
HT: 60,500 hr,
L80B10



Barracuda Specifications SS=Stainless Steel, HT=High Temperature, SH = Stainless Steel High Temperature

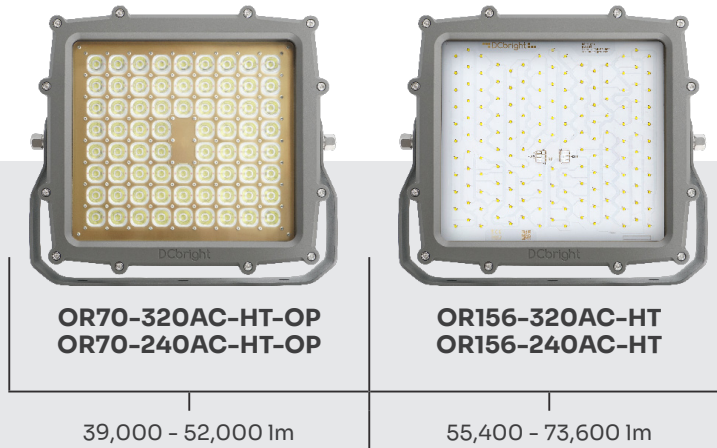
Model	Lumens	Lm/W	Power	Voltage	Optics	CCT	Warranty
BA48-120AC-HT	20,600	172	120W	90-305 VAC	120°	2700K - 6500K	5 year
BA48-120AC-SH	20,600	172	120W	90-305 VAC	120°	2700K - 6500K	5 year

Orca

LED Floodlight <111.000 lm

The Orca is a powerhouse luminaire, delivering up to 110,000 lumens from a compact 16" square aperture. Housed in a rugged, water- and dustproof enclosure, it's available in stainless steel, high-temperature, and high-grade aluminum options. With an efficacy of up to 162 lm/W, AC and DC versions, and both integral and remote driver configurations, the Orca stands as the ultimate solution for high-mount spotlighting in the most demanding environments.

- **High Performance LEDs**
 - Dual-color available
 - Wide variety of CCTs
- **Available high temperature version, up to 120°C / 248°F**
- **High thermally conductive housings**
 - Corrosion-resistant aluminum
 - Available stainless steel
 - Internal temperature monitor
- **Electrical, mechanical and thermal protections, including:**
 - **Vibration resistance**
 - Overcurrent regulation
- **Dust & Weatherproof, IP69K**
- **Impact resistant, IK10**
- **AC / DC versions available**



Orca Common Specifications SS=Stainless Steel, HT=High Temperature

Size
500 mm x 441 mm x 96 mm
19.6 in x 17.3 in x 3.7 in

Weight
Standard Aluminum / HT:
22.7 kg / 50 lb

Stainless Steel /
Stainless Steel HT:
32 kg / 70.5 lb

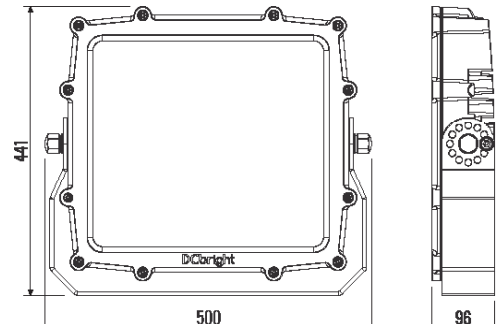
Operating Temperature
HT / Stainless Steel HT:
-45°C / -49°F < 120°C / 248°F

Cable / Remote Driver
HT: 25m Silicone

Ingress / Impact Protection
IP69K, IK10

Fixture Adjustment
±240°, 30° steps

Lumen Maintenance
HT: 60,500 hr, L80B10



Orca Specifications SS=Stainless Steel, HT=High Temperature, OP = Optics Available

Model	Lumens	Lm/W	Power	Voltage	Optics	CCT	Warranty
OR156-240AC-HT	55,400	240	240W	90-305 VAC	120°	2700K - 6500K	5 year
OR156-240AC-HT-OP	39,000	162	240W	90-305 VAC	20°, 40°, 60°, 120°	2700K - 6500K	5 year
OR156-320AC-HT	73,600	240	320W	90-305 VAC	120°	2700K - 6500K	5 year
OR156-320AC-HT-OP	52,000	162	320W	90-305 VAC	20°, 40°, 60°, 120°	2700K - 6500K	5 year



PRODUCTS

SUSTAINABLE | LIGHTING | SOLUTIONS



Dutch Engineered, and built with passion

JEL Products

info@jelproducts.nl
www.jelproducts.nl

Sustainable | Lighting | Solutions